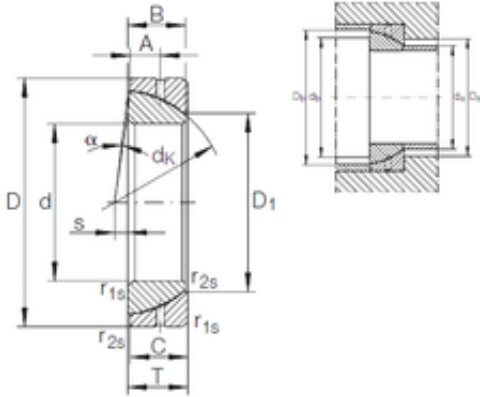




BEARINGS PRODUCTION WHOLESale CO., LTD

100 mm x 150 mm x 30 mm INA GE 100 SX plain bearings



GE 100 SX Bearing 2D drawings and 3D CAD models

Bearing No. GE 100 SX

| | |
|----------------------------------|---------------|
| Size | 100x150x32 mm |
| Bore Diameter | 100 mm |
| Outer Diameter | 150 mm |
| Width | 32 mm |
| d | 100 mm |
| D | 150 mm |
| T | 32 mm |
| B | 30 mm |
| C | 30 mm |
| dk | 140 mm |
| r1 min. | 2 mm |
| r2 min. | 0,6 mm |
| A | 16 mm |
| D1 | 114,3 mm |
| S | 12 mm |
| da max | 112 mm |
| Da min | 123 mm |
| db min | 128 mm |
| Db min. | 142 mm |
| Angle | 1,7 ° |
| Weight | 2,3 Kg |
| Basic dynamic load rating (C) | 339 kN |